



# SILBO-RC44

CELLULAR ROUTER

**STAY CONNECTED**



## PROCESSOR

Mediatek MIPS 580MHz Processor,  
128MB DDR, 16MB Flash

## Wi-Fi

2.4GHz, 300Mbps  
AP/Station, 5dBi antennas

## OPERATING SYSTEM

Linux

## VPN

IPSec, OpenVPN

## LTE CONNECTIVITY

4G/3G/2G with Dual SIM,  
5dBi antennas

## ETHERNET

Three port 10/100, 1 WAN, 2 LANs

## ROUTER FEATURES

WebUI for easy configuration,  
Supports Multiwan with Failover,  
Data based SIM switching etc.

## Power

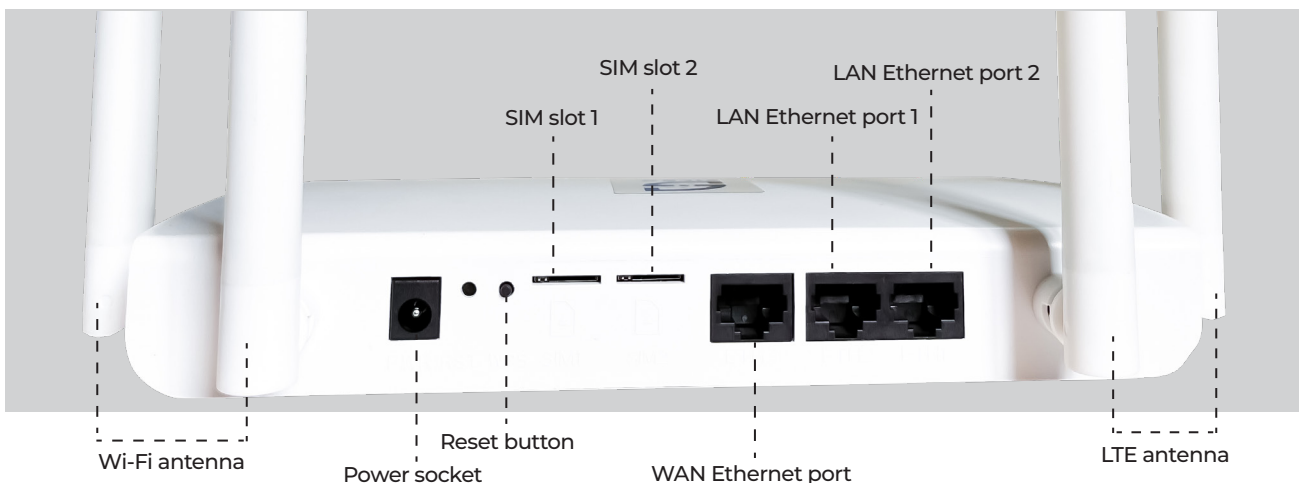
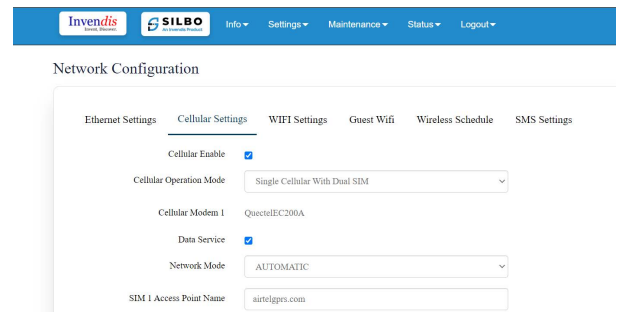
12V DC input

## PRODUCT DESCRIPTION

SILBO-RC44 is a sleek, lightweight, dual sim router for ensuring seamless Wi-Fi and Ethernet connectivity using LTE Network.

It is equipped with LTE Cellular module, Wi-Fi 4 and Three 10/100 Ethernet ports. It supports Wi-Fi 4, 802.11 b/g/n standards with a max speed of 300Mbps on 2.4 GHz.

SILBO-RC44 enables users to connect to 4G/LTE mobile connection with downlink speeds of up to 150Mbps and uplink speeds of upto 50Mbps providing fast internet experience.



## FEATURES

### Cellular

○ Cellular Module	4G (LTE) – Cat 4 up to 150 Mbps, 3G – Up to 42 Mbps, 2G – Up to 236.8 kbps
○ Status	Signal strength (RSSI), SINR, RSRP, RSRQ
○ Band Management	Used band status display
○ APN	Configurable, Auto APN
○ Bridge	Direct connection (bridge) between mobile ISP and device on LAN
○ Passthrough	Router assigns its mobile WAN IP address to another device on LAN

### WIRELESS

○ Wireless Mode	IEEE 802.11b/g/n, Access Point (AP), Station (STA)
○ Wi-Fi Security	WPA2-PSK, WEP, WPA-EAP, WPA-PSK; AES-CCMP, TKIP
○ SSID	Two (Single and Guest)
○ Wi-Fi Users	Up to 32 simultaneous connections

### ETHERNET

○ WAN	1 x WAN port 10/100 Mbps, compliance with IEEE 802.3, IEEE 802.3u standards, supports auto MDI/MDIX
○ LAN	2 x LAN port 10/100 Mbps, compliance with IEEE 802.3, IEEE 802.3u standards, supports auto MDI/MDIX

### NETWORK

○ Routing	Static routing
○ Network Protocols	TCP, UDP, IPv4, IPv6, ICMP, NTP, HTTP, HTTPS, FTP, PPP, DHCP
○ Connection Monitoring	Ping Reboot, Periodic Reboot
○ Firewall	Port forward, traffic rules, custom rules
○ DHCP	Static and dynamic IP allocation
○ Failover	MultiWAN, Cellular, Wired and WiFi WAN options, each of which can be used as backup, using automatic Failover

### SECURITY

○ Firewall	Unlimited firewall configuration firewall rules can be enabled via WebUI
○ VLAN	Port and tag based VLAN separation
○ Mobile Quota Control	Set up custom data limits for the SIM card, automatic sim switching based on the data limit

## VPN

- |              |   |
|--------------|---|
| ○ OpenVPN    | Multiple clients with encryption  |
| ○ IPsec      | IKEv1, IKEv2, supports up to 2 x VPN IPsec tunnels (instances), with 5 encryption methods (DES, 3DES, AES128, AES192, AES256) |
| ○ PPTP, L2TP | Client/Server services can run simultaneously   |

## MONITORING & MANAGEMENT

- |          |   |
|----------|---|
| ○ WEB UI | HTTP/HTTPS, status, configuration, FW update, diagnostics, system log, kernel log |
| ○ SMS    | SMS configuration, Reboot   |

## SYSTEM CHARACTERISTICS

- |                 |                                   |
|-----------------|-----------------------------------|
| ○ CPU           | Mediatek, MIPS processor, 580 MHz |
| ○ RAM           | 128 MB, DDR2                      |
| ○ FLASH Storage | 16 MB, SPI Flash                  |

## FIRMWARE / CONFIGURATION

- |                    |                        |
|--------------------|------------------------|
| ○ WEB UI           | Update FW from file    |
| ○ Operating System | OpenWrt based Linux OS |

## POWER

- |                     |                                     |
|---------------------|-------------------------------------|
| ○ Connector         | DC Jack                             |
| ○ Input Voltage     | 12 VDC, Reverse polarity protection |
| ○ Power Consumption | < 5 W Max                           |

## PHYSICAL INTERFACES (PORTS, LEDS, ANTENNAS, BUTTONS, SIM)

- |               |   |
|---------------|---|
| ○ Ethernet    | 3 x RJ45 ports, 10/100 Mbps                     |
| ○ Status LEDs | 5 x Cellular, 3 x Ethernet, 1 x Power, 1x Wi-Fi |
| ○ SIM         | 2 x Nano SIM                                    |
| ○ Antennas    | 2 x Cellular, 2 x Wi-Fi                         |
| ○ Reset       | Factory reset button                            |
| ○ WPS         | WPS button for easy wifi connection             |

# SILBO-RC44

## PHYSICAL SPECIFICATION

- Casing Material ABS Plastic
- Dimensions (WxHxD) 210 x 35 x 140 mm
- Weight 180g
- Mounting Options Wall mounting screw slots

## OPERATING ENVIRONMENT

- Operating Temperature -10 C to 65 C
- Operating Humidity 10 % to 90 % non-condensing
- Ingress Protection Rating IP30



118,000+  
Telecom Towers



700+  
Solar Sites



15+Global  
MNO/Tower CO



30,000+  
Routers



26+  
Countries



500,000+  
Connected Assets



20,000+  
Enterprise Users



[sales@invendis.com](mailto:sales@invendis.com)



[www.invendis.com](http://www.invendis.com)



+91 97394 33733



No. 230, 1st Cross, 38th Main,  
BOOHBCS Layout, BTM 2nd Stage,  
Bangalore – 560 068

**Invendis**  
Invent, Discover.



**SCAN FOR**  
MORE DETAILS